

# CF 法兰和管件

# CF Flanges & Fittings

赛米瑟 CF 刀口法兰, 法兰尺寸从 CF16 至 CF350, 并有固定式和活套式产品可供选用。CF 法兰产品采用高品质不锈钢洁净材料, 高精度加工, 适用于高真空和超高真空的应用, 有 SUS304, SUS316L 材质可供选择。

CF 法兰采用无氧铜密封圈可以有效的与 CF 法兰进行密封, 最低真空度可以达到  $1 \times 10^{-10}$  Torr。无氧铜可以耐 450°C 的高温, 可以适用于真空腔体和管件的高温烘烤。

赛米瑟真空产品的焊点全部进行真空检漏, 产品清洗经过超声波清洗设备清洗, 对于半导体行业严苛的清洁要求, 采用超纯水, 去离子水清洗, 并在无尘环境进行干燥和包装, 确保产品的洁净度。

SSV offers Conflat flanges in a wide range of sizes from CF16 to CF350 in both rotatable and non-rotatable versions. All CF flanges are compatible with other manufacturers' standards and are available in SS304L material as standard, with an option for high-grade SS 316LN ESR. CF flanges utilize a copper gasket for effective seal up to  $1 \times 10^{-10}$  Torr. Moreover, the copper gasket can sustain a temperature of up to 450°C, but reuse of copper gaskets is not recommended.

For transition from UHV to HV also offers a complete range of adaptors for CF flange to KF or ISO flange. Please refer to the Adaptor section.

All products with weld joints are 100% helium leak tested to assure leak free operation prior to use. In addition, to ensure the cleanliness of products, all parts are ultrasonically cleaned to UHV standards using de-ionized water and packaged in contamination free, class 10,000 clean room conditions. Each bag is affixed with a barcode label identifying the component's part number, heat number and batch number for full traceability.



## 标准规格 Standard Specification

真空效率 Vacuum Rate	超高真空 Ultra High Vacuum
材料 Material	SS304L, SS316LN
法兰尺寸 Flange Sizes	CF 1.33" ~ CF 16.5"
管材尺寸 Tube Sizes	3/8" ~ 14"
真空范围 Vacuum Range	760 Torr ~ $1 \times 10^{-10}$ Torr for 304L 760 Torr ~ $1 \times 10^{-12}$ Torr for 316LN
垫片材料 Gasket Material	OFHC Copper or Silver Plated
温度范围 Temperature Range	-190°C ~ 450°C

# CF 法兰的装配

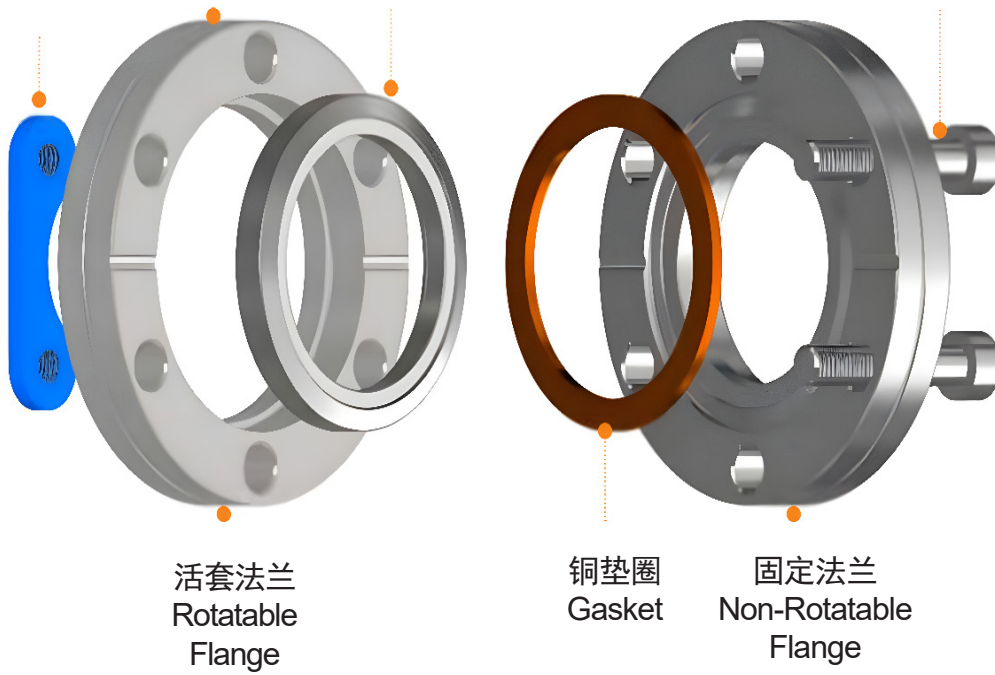
## CF Flanges Assembly

平板螺母  
Plate Nut

外法兰  
Outer

内法兰  
Inner

螺栓  
Screw



活套法兰  
Rotatable  
Flange

铜垫圈  
Gasket

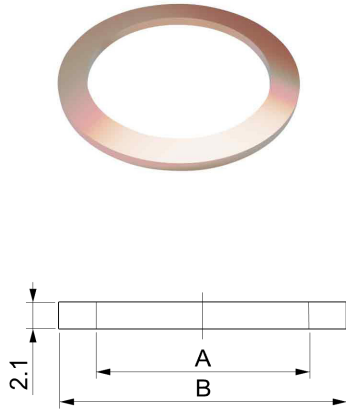
固定法兰  
Non-Rotatable  
Flange



# CF

## 铜垫圈 Copper Gaskets

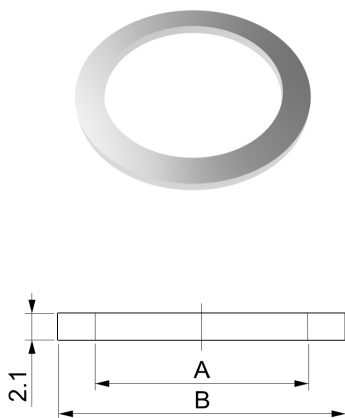
材料 material: 铜 Copper



Part Number	Size	A	B
CF-CS-133	CF1. 33" (DN16)	16. 2	21. 3
CF-CS-212	CF2. 12" (DN25)	25. 7	32. 8
CF-CS-275	CF2. 75" (DN35)	36. 8	48. 1
CF-CS-275-1	CF2. 75" (DN40)	39. 0	48. 1
CF-CS-338	CF3. 38" (DN50)	51. 1	61. 6
CF-CS-450	CF4. 50" (DN63)	63. 6	82. 4
CF-CS-462	CF4. 62" (DN80)	76. 5	91. 4
CF-CS-600	CF6. 00" (DN100)	101. 8	120. 5
CF-CS-675	CF6. 75" (DN130)	127. 3	141. 4
CF-CS-800	CF8. 00" (DN160)	152. 6	171. 3
CF-CS-1000	CF10. 00" (DN200)	203. 4	222. 1
CF-CS-1200	CF12. 00" (DN250)	254. 2	272. 9
CF-CS-1325	CF13. 25" (DN270)	274. 0	294. 3
CF-CS-1400	CF14. 00" (DN300)	300. 0	313. 0
CF-CS-1650	CF16. 50" (DN350)	356. 5	376. 6

## 镀银铜垫圈 Copper Gaskets,Silver Plated

材料 material: 铜 Copper



Part Number	Size	A	B
CF-CS-133-S	CF1. 33" (DN16)	16. 2	21. 3
CF-CS-212-S	CF2. 12" (DN25)	25. 7	32. 8
CF-CS-275-S	CF2. 75" (DN35)	36. 8	48. 1
CF-CS-275-1-S	CF2. 75" (DN40)	39. 0	48. 1
CF-CS-338-S	CF3. 38" (DN50)	51. 1	61. 6
CF-CS-450-S	CF4. 50" (DN63)	63. 6	82. 4
CF-CS-462-S	CF4. 62" (DN80)	76. 5	91. 4
CF-CS-600-S	CF6. 00" (DN100)	101. 8	120. 5
CF-CS-675-S	CF6. 75" (DN130)	127. 3	141. 4
CF-CS-800-S	CF8. 00" (DN160)	152. 6	171. 3
CF-CS-1000-S	CF10. 00" (DN200)	203. 4	222. 1
CF-CS-1200-S	CF12. 00" (DN250)	254. 2	272. 9
CF-CS-1325-S	CF13. 25" (DN270)	274. 0	294. 3
CF-CS-1400-S	CF14. 00" (DN300)	300. 0	313. 0
CF-CS-1650-S	CF16. 50" (DN350)	356. 5	376. 6

尺寸 (mm)

Dimension in mm

diagram A

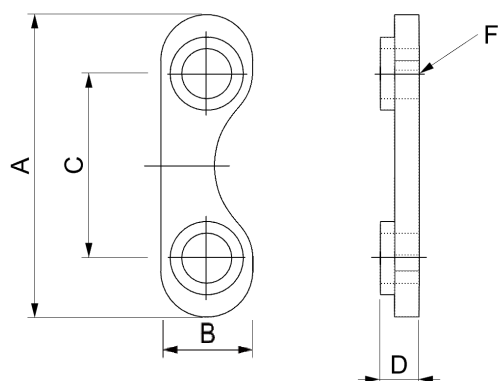
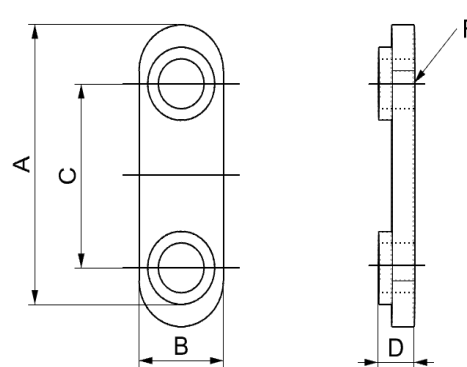


diagram B



## 板螺母 - 公制牙 Plate Nuts -Metric Thread

材料 Material : 不锈钢 Stainless Steel



Part Number	Size	Diagram	A	B	C	D	F
CF-PN-133M	CF1. 33" (DN16)	A	20.3	7.6	13.5	3.2	M4xP0.7
CF-PN-275M	CF2. 75" (DN40)	A	42.2	12.7	29.5	4.7	M6xP1.0
CF-PN-338M	CF3. 38" (DN50)	B	44.5	12.7	27.7	5.3	M8xP1.25
CF-PN-450M	CF4. 50" (DN63)	B	51.6	12.7	35.3	5.3	M8xP1.25
CF-PN-462M	CF4. 62" (DN80)	B	45.8	12.7	31.6	5.3	M8xP1.25
CF-PN-600M	CF6. 00" (DN100)	B	41.7	12.7	25.4	5.3	M8xP1.25
CF-PN-800M	CF8. 00" (DN160)	B	44.5	12.7	28.5	5.3	M8xP1.25
CF-PN-1000M	CF10. 00" (DN200)	B	44.5	12.7	30.2	5.3	M8xP1.25

## 板螺母 - 英制牙 Plate Nuts -Inch Thread

材料 Material : 不锈钢 Stainless Steel



Part Number	Size	Diagram	A	B	C	D	F
CF-PN-133	CF1. 33" (DN16)	A	20.3	7.6	13.5	3.2	8-32
CF-PN-275	CF2. 75" (DN40)	A	42.2	12.7	29.5	5.1	1/4-28
CF-PN-338	CF3. 38" (DN50)	B	44.5	12.7	27.7	5.3	5/16-24
CF-PN-450	CF4. 50" (DN63)	B	51.6	12.7	35.3	5.3	5/16-24
CF-PN-462	CF4. 62" (DN80)	B	45.8	12.7	31.6	5.3	5/16-24
CF-PN-600	CF6. 00" (DN100)	B	41.7	12.7	25.4	5.3	5/16-24
CF-PN-800	CF8. 00" (DN160)	B	44.5	12.7	28.5	5.3	5/16-24
CF-PN-1000	CF10. 00" (DN200)	B	44.5	12.7	30.2	5.3	5/16-24

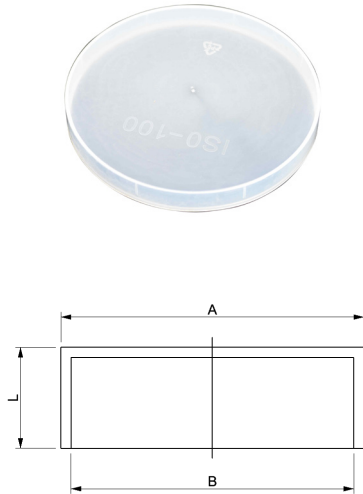
尺寸 (mm)

Dimension in mm

# CF

## CF 塑料盖 CF Flange Plastic Cap

材料 Material : PE

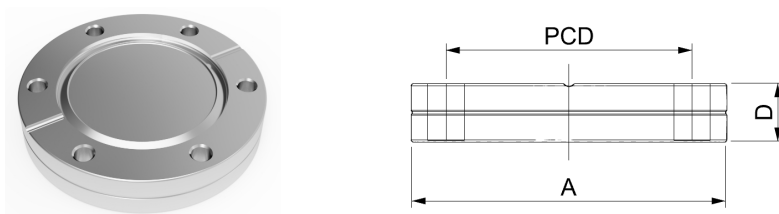


Part Number	Size	A	B	L
CF-PC-133	CF1. 33" (DN16)	35.3	34.0	9.1
CF-PC-212	CF2. 12" (DN25)	56.4	54.0	13.6
CF-PC-275	CF2. 75" (DN40)	71.5	69.3	14.9
CF-PC-338	CF3. 38" (DN50)	88.5	85.8	19.5
CF-PC-450	CF4. 50" (DN63)	115.3	113.5	20.4
CF-PC-462	CF4. 62" (DN80)	120.5	117.6	23.4
CF-PC-600	CF6. 00" (DN100)	154.0	151.6	23.5
CF-PC-675	CF6. 75" (DN130)	174.3	171.2	23.5
CF-PC-800	CF8. 00" (DN160)	203.5	200.5	24.6
CF-PC-1000	CF10. 00" (DN200)	254.0	253.8	27.0
CF-PC-1200	CF12. 00" (DN250)	307.0	304.6	27.5
CF-PC-1325	CF13. 25" (DN270)	339.0	355.8	28.0
CF-PC-1400	CF14. 00" (DN300)	358.0	354.8	29.0

尺寸 (mm)  
Dimension in mm

## 盲板法兰 CF Blank Flange

材料 Material : SS 304L/SS 316L/SS 316LN



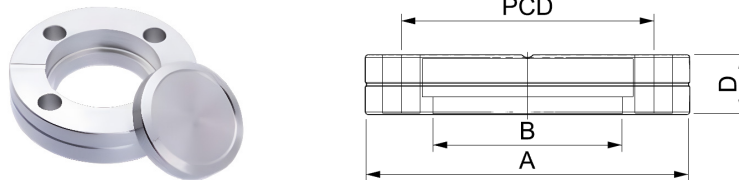
T: 英制螺纹孔 Inch tapped holes M: 公制螺纹孔 Metric tapped holes

Part Number	Flange Size	A (mm)	D (mm)	PCD (mm)	Bolt Holes	Diameter (mm) / Thread Type
CF-BL-133	CF1. 33" (DN16)	33.7	7.6	27.0	6	4.37
CF-BL-133T	CF1. 33" (DN16)	33.7	7.6	27.0	6	8-32
CF-BL-133M	CF1. 33" (DN16)	33.7	7.6	27.0	6	M4
CF-BL-212	CF2. 12" (DN25)	53.8	11.9	41.3	4	6.73
CF-BL-212T	CF2. 12" (DN25)	53.8	11.9	41.3	4	1/4-28
CF-BL-212M	CF2. 12" (DN25)	53.8	11.9	41.3	4	M6
CF-BL-275	CF2. 75" (DN40)	69.3	12.7	58.7	6	6.73
CF-BL-275T	CF2. 75" (DN40)	69.3	12.7	58.7	6	1/4-28
CF-BL-275M	CF2. 75" (DN40)	69.3	12.7	58.7	6	M6
CF-BL-338	CF3. 38" (DN50)	85.7	16.0	72.4	8	8.43
CF-BL-338T	CF3. 38" (DN50)	85.7	16.0	72.4	8	5/16-24
CF-BL-338M	CF3. 38" (DN50)	85.7	16.0	72.4	8	M8
CF-BL-450	CF4. 50" (DN63)	113.5	17.3	92.2	8	8.43
CF-BL-450T	CF4. 50" (DN63)	113.5	17.3	92.2	8	5/16-24
CF-BL-450M	CF4. 50" (DN63)	113.5	17.3	92.2	8	M8
CF-BL-462	CF4. 62" (DN80)	117.0	19.1	102.4	10	8.43
CF-BL-462T	CF4. 62" (DN80)	117.0	19.1	102.4	10	5/16-24
CF-BL-462M	CF4. 62" (DN80)	117.0	19.1	102.4	10	M8
CF-BL-600	CF6. 00" (DN100)	151.6	19.8	130.3	16	8.43
CF-BL-600T	CF6. 00" (DN100)	151.6	19.8	130.3	16	5/16-24
CF-BL-600M	CF6. 00" (DN100)	151.6	19.8	130.3	16	M8
CF-BL-675	CF6. 75" (DN130)	170.7	21.3	151.6	18	8.43
CF-BL-675T	CF6. 75" (DN130)	170.7	21.3	151.6	18	5/16-24
CF-BL-675M	CF6. 75" (DN130)	170.7	21.3	151.6	18	M8
CF-BL-800	CF8. 00" (DN160)	202.4	22.4	181.1	20	8.43
CF-BL-800T	CF8. 00" (DN160)	202.4	22.4	181.1	20	5/16-24
CF-BL-800M	CF8. 00" (DN160)	202.4	22.4	181.1	20	M8
CF-BL-1000	CF10. 00" (DN200)	253.2	24.6	231.9	24	8.43
CF-BL-1000T	CF10. 00" (DN200)	253.2	24.6	231.9	24	5/16-24
CF-BL-1000M	CF10. 00" (DN200)	253.2	24.6	231.9	24	M8
CF-BL-1200	CF12. 00" (DN250)	304.0	25.9	284.0	32	8.43
CF-BL-1200T	CF12. 00" (DN250)	304.0	25.9	284.0	32	5/16-24
CF-BL-1200M	CF12. 00" (DN250)	304.0	25.9	284.0	32	M8
CF-BL-1325	CF13. 25" (DN270)	335.8	28.5	306.3	30	10.49
CF-BL-1325T	CF13. 25" (DN270)	335.8	28.5	306.3	30	3/8-24
CF-BL-1325M	CF13. 25" (DN270)	335.8	28.5	306.3	30	M10
CF-BL-1400	CF14. 00" (DN300)	354.8	28.5	325.4	30	10.49
CF-BL-1400T	CF14. 00" (DN300)	354.8	28.5	325.4	30	3/8-24
CF-BL-1400M	CF14. 00" (DN300)	354.8	28.5	325.4	30	M10
CF-BL-1650	CF16. 50" (DN350)	418.3	28.5	388.9	36	10.49
CF-BL-1650T	CF16. 50" (DN350)	418.3	28.5	388.9	36	3/8-24
CF-BL-1650M	CF16. 50" (DN350)	418.3	28.5	388.9	36	M10

# CF

## 活套法兰 CF Blank Flange, Rotatable

材料 Material : SS 304L/SS 316L/SS 316LN

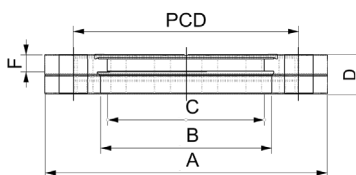
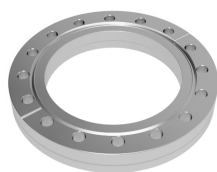


T: 英制螺纹孔 Inch tapped holes M: 公制螺纹孔 Metric tapped holes

Part Number	Flange Size	A (mm)	B (mm)	D (mm)	PCD (mm)	Bolt Holes	Diameter (mm) / Thread Type
CF-BL-133R	CF1. 33" (DN16)	33. 7	19. 4	7. 6	27. 0	6	4. 37
CF-BL-133RT	CF1. 33" (DN16)	33. 7	19. 4	7. 6	27. 0	6	8-32
CF-BL-133RM	CF1. 33" (DN16)	33. 7	19. 4	7. 6	27. 0	6	M4
CF-BL-212R	CF2. 12" (DN25)	53. 8	27. 9	11. 9	41. 3	4	6. 73
CF-BL-212RT	CF2. 12" (DN25)	53. 8	27. 9	11. 9	41. 3	4	1/4-28
CF-BL-212RM	CF2. 12" (DN25)	53. 8	27. 9	11. 9	41. 3	4	M6
CF-BL-275R	CF2. 75" (DN40)	69. 3	45. 2	12. 7	58. 7	6	6. 73
CF-BL-275RT	CF2. 75" (DN40)	69. 3	45. 2	12. 7	58. 7	6	1/4-28
CF-BL-275RM	CF2. 75" (DN40)	69. 3	45. 2	12. 7	58. 7	6	M6
CF-BL-338R	CF3. 38" (DN50)	85. 3	54. 5	17. 4	72. 4	8	8. 43
CF-BL-338RT	CF3. 38" (DN50)	85. 3	54. 5	17. 4	72. 4	8	5/16-24
CF-BL-338RM	CF3. 38" (DN50)	85. 3	54. 5	17. 4	72. 4	8	M8
CF-BL-450R	CF4. 50" (DN63)	113. 5	72. 4	19. 1	92. 2	8	8. 43
CF-BL-450RT	CF4. 50" (DN63)	113. 5	72. 4	19. 1	92. 2	8	5/16-24
CF-BL-450RM	CF4. 50" (DN63)	113. 5	72. 4	19. 1	92. 2	8	M8
CF-BL-462R	CF4. 62" (DN80)	117. 0	79. 7	20. 6	102. 4	10	8. 43
CF-BL-462RT	CF4. 62" (DN80)	117. 0	79. 7	20. 6	102. 4	10	5/16-24
CF-BL-462RM	CF4. 62" (DN80)	117. 0	79. 7	20. 6	102. 4	10	M8
CF-BL-600R	CF6. 00" (DN100)	151. 6	106. 2	21. 4	130. 3	16	8. 43
CF-BL-600RT	CF6. 00" (DN100)	151. 6	106. 2	21. 4	130. 3	16	5/16-24
CF-BL-600RM	CF6. 00" (DN100)	151. 6	106. 2	21. 4	130. 3	16	M8
CF-BL-675R	CF6. 75" (DN130)	170. 7	129. 5	21. 3	151. 6	18	8. 43
CF-BL-675RT	CF6. 75" (DN130)	170. 7	129. 5	21. 3	151. 6	18	5/16-24
CF-BL-675RM	CF6. 75" (DN130)	170. 7	129. 5	21. 3	151. 6	18	M8
CF-BL-800R	CF8. 00" (DN160)	202. 4	155. 7	23. 9	181. 1	20	8. 43
CF-BL-800RT	CF8. 00" (DN160)	202. 4	155. 7	23. 9	181. 1	20	5/16-24
CF-BL-800RM	CF8. 00" (DN160)	202. 4	155. 7	23. 9	181. 1	20	M8
CF-BL-1000R	CF10. 00" (DN200)	253. 2	208. 3	24. 6	231. 9	24	8. 43
CF-BL-1000RT	CF10. 00" (DN200)	253. 2	208. 3	24. 6	231. 9	24	5/16-24
CF-BL-1000RM	CF10. 00" (DN200)	253. 2	208. 3	24. 6	231. 9	24	M8
CF-BL-1200R	CF12. 00" (DN250)	304. 0	256. 0	25. 9	284. 0	32	8. 43
CF-BL-1200RT	CF12. 00" (DN250)	304. 0	256. 0	25. 9	284. 0	32	5/16-24
CF-BL-1200RM	CF12. 00" (DN250)	304. 0	256. 0	25. 9	284. 0	32	M8
CF-BL-1325R	CF13. 25" (DN270)	335. 8	276. 3	28. 5	306. 3	30	10. 49
CF-BL-1325RT	CF13. 25" (DN270)	335. 8	276. 3	28. 5	306. 3	30	3/8-24
CF-BL-1325RM	CF13. 25" (DN270)	335. 8	276. 3	28. 5	306. 3	30	M10
CF-BL-1400R	CF14. 00" (DN300)	354. 8	305. 8	28. 5	325. 4	30	10. 49
CF-BL-1400RT	CF14. 00" (DN300)	354. 8	305. 8	28. 5	325. 4	30	3/8-24
CF-BL-1400RM	CF14. 00" (DN300)	354. 8	305. 8	28. 5	325. 4	30	M10
CF-BL-1650R	CF16. 50" (DN350)	418. 3	359. 6	28. 5	388. 9	36	10. 49
CF-BL-1650RT	CF16. 50" (DN350)	418. 3	359. 6	28. 5	388. 9	36	3/8-24
CF-BL-1650RM	CF16. 50" (DN350)	418. 3	359. 6	28. 5	388. 9	36	M10

## 镗孔法兰 CF Bored Flanges

材料 Material : SS 304L/SS 316L/SS 316LN



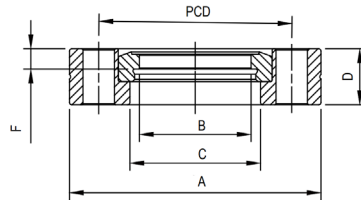
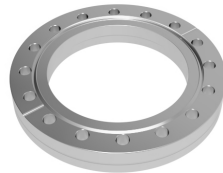
T: 英制螺纹孔 Inch tapped holes    M: 公制螺纹孔 Metric tapped holes

Part Number	Size	A (mm)	B (mm)	C (mm)	D (mm)	F (mm)	PCD (mm)	Bolt Holes	Diameter (mm) / Thread Type
CF-BF-133x038	CF1. 33" (DN16)	33.7	9.7	-	7.6	-	27.0	6	4. 37
CF-BF-133x038T	CF1. 33" (DN16)	33.7	9.7	-	7.6	-	27.0	6	8-32
CF-BF-133x038M	CF1. 33" (DN16)	33.7	9.7	-	7.6	-	27.0	6	M4
CF-BF-133x050	CF1. 33" (DN16)	33.7	12.8	-	7.6	-	27.0	6	4. 37
CF-BF-133x050T	CF1. 33" (DN16)	33.7	12.8	-	7.6	-	27.0	6	8-32
CF-BF-133x050M	CF1. 33" (DN16)	33.7	12.8	-	7.6	-	27.0	6	M4
CF-BF-133x075	CF1. 33" (DN16)	33.7	19.3	16.0	7.6	4.5	27.0	6	4. 37
CF-BF-133x075T	CF1. 33" (DN16)	33.7	19.3	16.0	7.6	4.5	27.0	6	8-32
CF-BF-133x075M	CF1. 33" (DN16)	33.7	19.3	16.0	7.6	4.5	27.0	6	M4
CF-BF-212x100	CF2. 12" (DN25)	53.8	25.7	23.9	11.9	4.3	41.3	4	6. 73
CF-BF-212x100T	CF2. 12" (DN25)	53.8	25.7	23.9	11.9	4.3	41.3	4	1/4-28
CF-BF-212x100M	CF2. 12" (DN25)	53.8	25.7	23.9	11.9	4.3	41.3	4	M6
CF-BF-275x075	CF2. 12" (DN40)	69.3	19.1	15.8	12.7	5.3	58.7	6	6. 73
CF-BF-275x075T	CF2. 75" (DN40)	69.3	19.1	15.8	12.7	5.3	58.7	6	1/4-28
CF-BF-275x075M	CF2. 75" (DN40)	69.3	19.1	15.8	12.7	5.3	58.7	6	M6
CF-BF-275x100	CF2. 75" (DN40)	69.3	25.7	22.1	12.7	5.3	58.7	6	6. 73
CF-BF-275x100T	CF2. 75" (DN40)	69.3	25.7	22.1	12.7	5.3	58.7	6	1/4-28
CF-BF-275x100M	CF2. 75" (DN40)	69.3	25.7	22.1	12.7	5.3	58.7	6	M6
CF-BF-275x150	CF2. 75" (DN40)	69.3	38.4	36.6	12.7	5.3	58.7	6	6. 73
CF-BF-275x150T	CF2. 75" (DN40)	69.3	38.4	36.6	12.7	5.3	58.7	6	1/4-28
CF-BF-275x150M	CF2. 75" (DN40)	69.3	38.4	36.6	12.7	5.3	58.7	6	M6
CF-BF-275x175	CF2. 75" (DN40)	69.3	44.7	41.2	12.7	5.3	58.7	6	6. 73
CF-BF-275x175T	CF2. 75" (DN40)	69.3	44.7	41.2	12.7	5.3	58.7	6	1/4-28
CF-BF-275x175M	CF2. 75" (DN40)	69.3	44.7	41.2	12.7	5.3	58.7	6	M6
CF-BF-338x200	CF3. 38" (DN50)	85.3	51.1	49.3	17.4	5.7	72.4	8	8. 43
CF-BF-338x200T	CF3. 38" (DN50)	85.3	51.1	49.3	17.4	5.7	72.4	8	5/16-24
CF-BF-338x200M	CF3. 38" (DN50)	85.3	51.1	49.3	17.4	5.7	72.4	8	M8
CF-BF-450x250	CF4. 50" (DN63)	113.5	63.8	62.0	17.4	9.5	92.2	8	8. 43
CF-BF-450x250T	CF4. 50" (DN63)	113.5	63.8	62.0	17.4	9.5	92.2	8	5/16-24
CF-BF-450x250M	CF4. 50" (DN63)	113.5	63.8	62.0	17.4	9.5	92.2	8	M8
CF-BF-462x300	CF4. 62" (DN80)	117.0	76.5	74.7	19.1	9.6	102.4	10	8. 43
CF-BF-462x300T	CF4. 62" (DN80)	117.0	76.5	74.7	19.1	9.6	102.4	10	5/16-24
CF-BF-462x300M	CF4. 62" (DN80)	117.0	76.5	74.7	19.1	9.6	102.4	10	M8
CF-BF-600x400	CF6. 00" (DN100)	151.6	101.9	99.6	19.8	11.1	130.3	16	8. 43
CF-BF-600x400T	CF6. 00" (DN100)	151.6	101.9	99.6	19.8	11.1	130.3	16	5/16-24
CF-BF-600x400M	CF6. 00" (DN100)	151.6	101.9	99.6	19.8	11.1	130.3	16	M8
CF-BF-675x500	CF6. 75" (DN130)	170.7	127.3	125.0	21.3	11.7	151.6	18	8. 43
CF-BF-675x500T	CF6. 75" (DN130)	170.7	127.3	125.0	21.3	11.7	151.6	18	5/16-24
CF-BF-675x500M	CF6. 75" (DN130)	170.7	127.3	125.0	21.3	11.7	151.6	18	M8
CF-BF-800x600	CF8. 00" (DN160)	202.4	152.9	150.4	22.4	12.7	181.1	20	8. 43
CF-BF-800x600T	CF8. 00" (DN160)	202.4	152.9	150.4	22.4	12.7	181.1	20	5/16-24
CF-BF-800x600M	CF8. 00" (DN160)	202.4	152.9	150.4	22.4	12.7	181.1	20	M8
CF-BF-1000x800	CF10. 00" (DN200)	253.2	203.7	200.4	24.6	12.7	231.9	24	8. 43
CF-BF-1000x800T	CF10. 00" (DN200)	253.2	203.7	200.4	24.6	12.7	231.9	24	5/16-24
CF-BF-1000x800M	CF10. 00" (DN200)	253.2	203.7	200.4	24.6	12.7	231.9	24	M8
CF-BF-1200x1000	CF12. 00" (DN250)	304.0	254.5	251.0	25.9	12.7	284.0	32	8. 43
CF-BF-1200x1000T	CF12. 00" (DN250)	304.0	254.5	251.0	25.9	12.7	284.0	32	5/16-24
CF-BF-1200x1000M	CF12. 00" (DN250)	304.0	254.5	251.0	25.9	12.7	284.0	32	M8
CF-BF-1325x1000	CF13. 25" (DN270)	335.8	254.5	251.0	28.5	12.7	306.3	30	10. 49
CF-BF-1325x1000T	CF13. 25" (DN270)	335.8	254.5	251.0	28.5	12.7	306.3	30	3/8-24
CF-BF-1325x1000M	CF13. 25" (DN270)	335.8	254.5	251.0	28.5	12.7	306.3	30	M10
CF-BF-1400x1200	CF14. 00" (DN300)	354.8	305.3	301.8	28.5	12.7	325.4	30	10. 49
CF-BF-1400x1200T	CF14. 00" (DN300)	354.8	305.3	301.8	28.5	12.7	325.4	30	3/8-24
CF-BF-1400x1200M	CF14. 00" (DN300)	354.8	305.3	301.8	28.5	12.7	325.4	30	M10
CF-BF-1650x1400	CF16. 50" (DN350)	418.3	356.1	352.0	28.5	12.7	388.9	36	10. 49
CF-BF-1650x1400T	CF16. 50" (DN350)	418.3	356.1	352.0	28.5	12.7	388.9	36	3/8-24
CF-BF-1650x1400M	CF16. 50" (DN350)	418.3	356.1	352.0	28.5	12.7	388.9	36	M10

# CF

## 镗孔活套法兰 CF Bored Flanges, Rotatable

材料 Material : SS 304L/SS 316L/SS 316LN

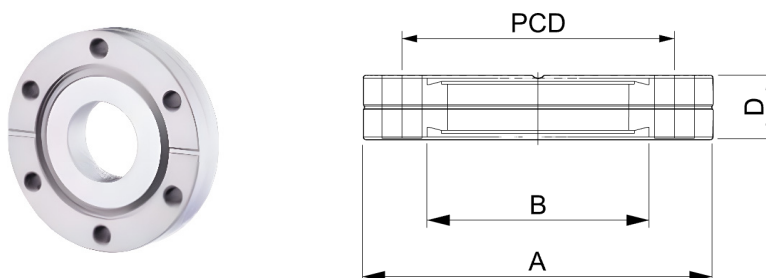


T: 英制螺纹孔 Inch tapped holes M: 公制螺纹孔 Metric tapped holes

Part Number	Flange Size	A (mm)	B (mm)	C (mm)	D (mm)	F (mm)	PCD (mm)	Bolt Holes	Diameter (mm) / Thread Type
CF-BL-133x050R	CF1. 33" (DN16)	33.7	12.8	12.8	7.6	-	27.0	6	4.37
CF-BL-133x050RT	CF1. 33" (DN16)	33.7	12.8	12.8	7.6	-	27.0	6	8-32
CF-BL-133x050RM	CF1. 33" (DN16)	33.7	12.8	12.8	7.6	-	27.0	6	M4
CF-BF-133x075R	CF1. 33" (DN16)	33.7	16.0	19.3	7.6	4.4	27.0	6	4.37
CF-BF-133x075RT	CF1. 33" (DN16)	33.7	16.0	19.3	7.6	4.4	27.0	6	8-32
CF-BF-133x075RM	CF1. 33" (DN16)	33.7	16.0	19.3	7.6	4.4	27.0	6	M4
CF-BF-212x100R	CF2. 12" (DN25)	53.8	23.9	25.9	11.9	4.3	41.3	4	6.73
CF-BF-212x100RT	CF2. 12" (DN25)	53.8	23.9	25.9	11.9	4.3	41.3	4	1/4-28
CF-BF-212x100RM	CF2. 12" (DN25)	53.8	23.9	25.9	11.9	4.3	41.3	4	M6
CF-BF-275x075R	CF2. 75" (DN40)	69.3	16.0	19.3	12.7	5.3	58.7	6	6.73
CF-BF-275x075RT	CF2. 75" (DN40)	69.3	16.0	19.3	12.7	5.6	58.7	6	1/4-28
CF-BF-275x075RM	CF2. 75" (DN40)	69.3	16.0	19.3	12.7	5.6	58.7	6	M6
CF-BF-275x150R	CF2. 75" (DN40)	69.3	36.6	38.6	12.7	5.3	58.7	6	6.73
CF-BF-275x150RT	CF2. 75" (DN40)	69.3	36.6	38.6	12.7	5.3	58.7	6	1/4-28
CF-BF-275x150RM	CF2. 75" (DN40)	69.3	36.6	38.6	12.7	5.3	58.7	6	M6
CF-BF-338x200R	CF3. 38" (DN50)	85.3	49.3	51.3	17.4	5.7	72.4	8	8.43
CF-BF-338x200RT	CF3. 38" (DN50)	85.3	49.3	51.3	17.4	5.7	72.4	8	5/16-24
CF-BF-338x200RM	CF3. 38" (DN50)	85.3	49.3	51.3	17.4	5.7	72.4	8	M8
CF-BF-450x250R	CF4. 50" (DN63)	113.5	62.0	64.0	19.1	9.5	92.2	8	8.43
CF-BF-450x250RT	CF4. 50" (DN63)	113.5	62.0	64.0	19.1	9.5	92.2	8	5/16-24
CF-BF-450x250RM	CF4. 50" (DN63)	113.5	62.0	64.0	19.1	9.5	92.2	8	M8
CF-BF-462x300R	CF4. 62" (DN80)	117.0	74.7	76.7	20.6	9.6	102.4	10	8.43
CF-BF-462x300RT	CF4. 62" (DN80)	117.0	74.7	76.7	20.6	9.6	102.4	10	5/16-24
CF-BF-462x300RM	CF4. 62" (DN80)	117.0	74.7	76.7	20.6	9.6	102.4	10	M8
CF-BF-600x400R	CF6. 00" (DN100)	151.6	99.6	102.1	21.4	11.1	130.3	16	8.43
CF-BF-600x400RT	CF6. 00" (DN100)	151.6	99.6	102.1	21.4	11.1	130.3	16	5/16-24
CF-BF-600x400RM	CF6. 00" (DN100)	151.6	99.6	102.1	21.4	11.1	130.3	16	M8
CF-BF-675x600R	CF6. 75" (DN130)	170.7	125.0	127.5	21.3	11.7	151.6	18	8.43
CF-BF-675x600RT	CF6. 75" (DN130)	170.7	125.0	127.5	21.3	11.7	151.6	18	5/16-24
CF-BF-675x600RM	CF6. 75" (DN130)	170.7	125.0	127.5	21.3	11.7	151.6	18	M8
CF-BF-800x600R	CF8. 00" (DN160)	202.4	150.4	152.9	23.9	12.7	181.1	20	8.43
CF-BF-800x600RT	CF8. 00" (DN160)	202.4	150.4	152.9	23.9	12.7	181.1	20	5/16-24
CF-BF-800x600RM	CF8. 00" (DN160)	202.4	150.4	152.9	23.9	12.7	181.1	20	M8
CF-BF-1000x800R	CF10. 00" (DN200)	253.2	200.4	203.7	24.6	12.7	231.9	24	8.43
CF-BF-1000x800RT	CF10. 00" (DN200)	253.2	200.4	203.7	24.6	12.7	231.9	24	5/16-24
CF-BF-1000x800RM	CF10. 00" (DN200)	253.2	200.4	203.7	24.6	12.7	231.9	24	M8
CF-BF-1200x1000R	CF12. 00 (DN250)	304.0	251.0	254.5	25.9	12.7	284.0	32	8.43
CF-BF-1200x1000RT	CF12. 00 (DN250)	304.0	251.0	254.5	25.9	12.7	284.0	32	5/16-24
CF-BF-1200x1000RM	CF12. 00 (DN250)	304.0	251.0	254.5	25.9	12.7	284.0	32	M8
CF-BF-1325x1000R	CF13. 25" (DN270)	335.8	251.0	254.5	28.5	12.7	306.3	30	10.49
CF-BF-1325x1000RT	CF13. 25" (DN270)	335.8	251.0	254.5	28.5	12.7	306.3	30	3/8-24
CF-BF-1325x1000RM	CF13. 25" (DN270)	335.8	251.0	254.5	28.5	12.7	306.3	30	M10
CF-BF-1400x1200R	CF14. 00" (DN300)	354.8	301.8	305.3	28.5	12.7	325.4	30	10.49
CF-BF-1400x1200RT	CF14. 00" (DN300)	354.8	301.8	305.3	28.5	12.7	325.4	30	3/8-24
CF-BF-1400x1200RM	CF14. 00" (DN300)	354.8	301.8	305.3	28.5	12.7	325.4	30	M10
CF-BF-1650x1400R	CF16. 50" (DN350)	418.3	352.6	356.1	28.5	12.7	388.9	36	10.49
CF-BF-1650x1400RT	CF16. 50" (DN350)	418.3	352.6	356.1	28.5	12.7	388.9	36	3/8-24
CF-BF-1650x1400RM	CF16. 50" (DN350)	418.3	352.6	356.1	28.5	12.7	388.9	36	M10

## 双面法兰 CF Double Face Flanges

材料 Material : SS 304L/SS 316L/SS 316LN



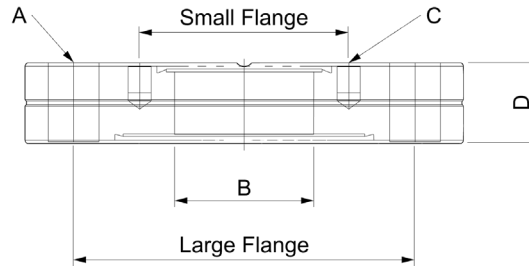
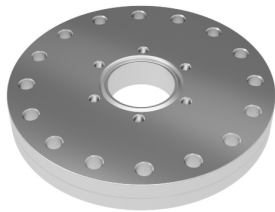
通孔 Through holes

Part Number	Flange Size	A (mm)	B (mm)	D (mm)	PCD (mm)	Bolt Holes	Diameter (mm) / Thread Type
CF-DF-133	CF1.33" (DN16)	33.7	-	7.6	27.0	6	4.37
CF-DF-133x075	CF1.33" (DN16)	33.7	15.9	7.6	27.0	6	4.37
CF-DF-212	CF2.12" (DN25)	53.8	-	11.9	41.3	4	6.73
CF-DF-212x100	CF2.12" (DN25)	53.8	25.7	11.9	41.3	4	6.73
CF-DF-275	CF2.75" (DN40)	69.3	-	12.7	58.7	6	6.73
CF-DF-275x150	CF2.75" (DN40)	69.3	38.4	12.7	58.7	6	6.73
CF-DF-338	CF3.38" (DN50)	85.3	-	16.0	72.4	8	8.43
CF-DF-338x200	CF3.38" (DN50)	85.3	51.1	16.0	72.4	8	8.43
CF-DF-450	CF4.50" (DN63)	113.5	-	17.4	92.2	8	8.43
CF-DF-450x250	CF4.50" (DN63)	113.5	63.8	17.4	92.2	8	8.43
CF-DF-462	CF4.62" (DN80)	117.0	-	19.1	102.4	10	8.43
CF-DF-462x300	CF4.62" (DN80)	117.0	76.5	19.1	102.4	10	8.43
CF-DF-600	CF6.00" (DN100)	151.6	-	19.8	130.3	16	8.43
CF-DF-600x400	CF6.00" (DN100)	151.6	101.9	19.8	130.3	16	8.43
CF-DF-675	CF6.75" (DN130)	170.7	-	21.3	151.6	18	8.43
CF-DF-675x500	CF6.75" (DN130)	170.7	127.3	21.3	151.6	18	8.43
CF-DF-800	CF8.00" (DN160)	202.4	-	22.4	181.1	20	8.43
CF-DF-800x600	CF8.00" (DN160)	202.4	152.7	22.4	181.1	20	8.43
CF-DF-1000	CF10.00" (DN200)	253.2	-	24.6	231.9	24	8.43
CF-DF-1000x800	CF10.00" (DN200)	253.2	203.5	24.6	231.9	24	8.43
CF-DF-1325	CF13.25" (DN270)	335.8	-	28.5	306.3	30	10.49
CF-DF-1325x1000	CF13.25" (DN270)	335.8	254.5	28.5	306.3	30	10.49

# CF

## 缩径法兰 - 英制牙

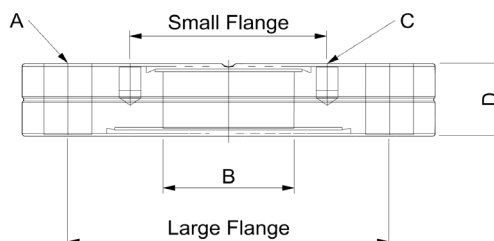
## CF Zero Length Reducers-Inch Thread 材料 Material : SS 304L/SS 316L/SS 316LN



Part Number	Large Flange	Small Flange	A	B (mm)	C	D (mm)
CF-ZL-212x133T	CF2. 12"	CF1. 33"	1/4-28	15. 8	8-32	11. 9
CF-ZL-212x133Z	CF2. 12"	CF1. 33"	6. 7	15. 8	8-32	11. 9
CF-ZL-275x133Z	CF2. 75"	CF1. 33"	6. 7	15. 8	8-32	12. 7
CF-ZL-275x212T	CF2. 75"	CF2. 12"	1/4-28	25. 4	1/4-28	12. 7
CF-ZL-275x212Z	CF2. 75"	CF2. 12"	6. 7	25. 4	1/4-28	12. 7
CF-ZL-338x133Z	CF3. 38"	CF1. 33"	8. 4	15. 8	8-32	16. 0
CF-ZL-338x212T	CF3. 38"	CF2. 12"	5/16-24	25. 4	1/4-28	16. 0
CF-ZL-338x212Z	CF3. 38"	CF2. 12"	8. 4	25. 4	1/4-28	16. 0
CF-ZL-338x275T	CF3. 38"	CF2. 75"	5/16-24	38. 1	1/4-28	16. 0
CF-ZL-338x275Z	CF3. 38"	CF2. 75"	8. 4	38. 1	1/4-28	16. 0
CF-ZL-450x133Z	CF4. 50"	CF1. 33"	8. 4	15. 8	8-32	17. 3
CF-ZL-450x212Z	CF4. 50"	CF2. 12"	8. 4	25. 4	1/4-28	17. 3
CF-ZL-450x275Z	CF4. 50"	CF2. 75"	8. 4	38. 1	1/4-28	17. 3
CF-ZL-450x338T	CF4. 50"	CF3. 38"	5/16-24	50. 8	5/16-24	17. 3
CF-ZL-450x338Z	CF4. 50"	CF3. 38"	8. 4	50. 8	5/16-24	17. 4
CF-ZL-462x133Z	CF4. 62"	CF1. 33"	8. 4	15. 8	8-32	19. 1
CF-ZL-462x212Z	CF4. 62"	CF2. 12"	8. 4	25. 4	1/4-28	19. 1
CF-ZL-462x275Z	CF4. 62"	CF2. 75"	8. 4	38. 1	1/4-28	19. 1
CF-ZL-462x338Z	CF4. 62"	CF3. 38"	8. 4	50. 8	5/16-24	19. 1
CF-ZL-600x133Z	CF6. 00"	CF1. 33"	8. 4	15. 8	8-32	19. 8
CF-ZL-600x212Z	CF6. 00"	CF2. 12"	8. 4	25. 4	1/4-28	19. 8
CF-ZL-600x275Z	CF6. 00"	CF2. 75"	8. 4	38. 1	1/4-28	19. 8
CF-ZL-600x338Z	CF6. 00"	CF3. 38"	8. 4	50. 8	5/16-24	19. 8
CF-ZL-600x450Z	CF6. 00"	CF4. 50"	8. 4	63. 5	5/16-24	19. 8
CF-ZL-600x462Z	CF6. 00"	CF4. 62"	8. 4	76. 2	5/16-24	19. 8
CF-ZL-675x275Z	CF6. 75"	CF2. 75"	8. 4	38. 1	1/4-28	21. 3
CF-ZL-675x450Z	CF6. 75"	CF4. 50"	8. 4	63. 5	5/16-24	21. 3
CF-ZL-800x133Z	CF8. 00"	CF1. 33"	8. 4	15. 8	8-32	22. 4
CF-ZL-800x275Z	CF8. 00"	CF2. 75"	8. 4	38. 1	1/4-28	22. 4
CF-ZL-800x450Z	CF8. 00"	CF4. 50"	8. 4	63. 5	5/16-24	22. 4
CF-ZL-800x600Z	CF8. 00"	CF6. 00"	8. 4	101. 6	5/16-24	22. 4
CF-ZL-1000x133Z	CF10. 00"	CF1. 33"	8. 4	15. 8	8-32	24. 6
CF-ZL-1000x275Z	CF10. 00"	CF2. 75"	8. 4	38. 1	1/4-28	24. 6
CF-ZL-1000x450Z	CF10. 00"	CF4. 50"	8. 4	63. 5	5/16-24	24. 6
CF-ZL-1000x600Z	CF10. 00"	CF6. 00"	8. 4	101. 6	5/16-24	24. 6
CF-ZL-1000x800Z	CF10. 00"	CF8. 00"	8. 4	152. 4	5/16-24	24. 6
CF-ZL-1200x600Y	CF12. 00"	CF6. 00"	8. 4	101. 6	M8	25. 9
CF-ZL-1200x800Y	CF12. 00"	CF8. 00"	8. 4	152. 4	M8	25. 9
CF-ZL-1200x1000Y	CF12. 00"	CF10. 00"	8. 4	202. 22	M8	25. 9
CF-ZL-1325x133Z	CF13. 25"	CF1. 33"	10. 5	15. 8	8-32	28. 5
CF-ZL-1325x275Z	CF13. 25"	CF2. 75"	10. 5	38. 1	1/4-28	28. 5
CF-ZL-1325x450Z	CF13. 25"	CF4. 50"	10. 5	63. 5	5/16-24	28. 5
CF-ZL-1325x600Z	CF13. 25"	CF6. 00"	10. 5	101. 6	5/16-24	28. 5
CF-ZL-1325x800Z	CF13. 25"	CF8. 00"	10. 5	152. 4	5/16-24	28. 5
CF-ZL-1325x1000Z	CF13. 25"	CF10. 00"	10. 5	203. 2	5/16-24	28. 5

## 缩径法兰 - 公制牙 CF Zero Length Reducers-Metric Thread

材料 Material : SS 304L/SS 316L/SS 316LN



Part Number	Large Flange	Small Flange	A	B (mm)	C	D (mm)
CF-ZL-212x133M	CF2. 12"	CF1. 33"	M6	15. 8	M4	11. 9
CF-ZL-212x133Y	CF2. 12"	CF1. 33"	6. 7	15. 8	M4	11. 9
CF-ZL-275x133Y	CF2. 75"	CF1. 33"	6. 7	15. 8	M4	12. 7
CF-ZL-275x212M	CF2. 75"	CF2. 12"	M6	25. 4	M6	12. 7
CF-ZL-275x212Y	CF2. 75"	CF2. 12"	6. 7	25. 4	M6	12. 7
CF-ZL-338x133Y	CF3. 38"	CF1. 33"	8. 4	15. 8	M4	16. 0
CF-ZL-338x212M	CF3. 38"	CF2. 12"	M8	25. 4	M6	16. 0
CF-ZL-338x212Y	CF3. 38"	CF2. 12"	8. 4	25. 4	M6	16. 0
CF-ZL-338x275M	CF3. 38"	CF2. 75"	M8	38. 1	M6	16. 0
CF-ZL-338x275Y	CF3. 38"	CF2. 75"	8. 4	38. 1	M6	16. 0
CF-ZL-450x133Y	CF4. 50"	CF1. 33"	8. 4	15. 8	M4	17. 3
CF-ZL-450x212Y	CF4. 50"	CF2. 12"	8. 4	25. 4	M6	17. 3
CF-ZL-450x275Y	CF4. 50"	CF2. 75"	8. 4	38. 1	M6	17. 3
CF-ZL-450x338M	CF4. 50"	CF3. 38"	M8	50. 8	M8	17. 4
CF-ZL-450x338Y	CF4. 50"	CF3. 38"	8. 4	50. 8	M8	17. 4
CF-ZL-462x133Y	CF4. 62"	CF1. 33"	8. 4	15. 8	M4	19. 1
CF-ZL-462x212Y	CF4. 62"	CF2. 12"	8. 4	25. 4	M6	19. 1
CF-ZL-462x275Y	CF4. 62"	CF2. 75"	8. 4	38. 1	M6	19. 1
CF-ZL-462x338Y	CF4. 62"	CF3. 38"	8. 4	50. 8	M8	19. 1
CF-ZL-600x133Y	CF6. 00"	CF1. 33"	8. 4	15. 8	M4	19. 8
CF-ZL-600x212Y	CF6. 00"	CF2. 12"	8. 4	25. 4	M6	19. 8
CF-ZL-600x275Y	CF6. 00"	CF2. 75"	8. 4	38. 1	M6	19. 8
CF-ZL-600x338Y	CF6. 00"	CF3. 38"	8. 4	50. 8	M8	19. 8
CF-ZL-600x450Y	CF6. 00"	CF4. 50"	8. 4	63. 5	M8	19. 8
CF-ZL-600x462Y	CF6. 00"	CF4. 62"	8. 4	76. 2	M8	19. 8
CF-ZL-675x275Y	CF6. 75"	CF2. 75"	8. 4	38. 1	M6	21. 3
CF-ZL-675x450Y	CF6. 75"	CF4. 50"	8. 4	63. 5	M8	21. 3
CF-ZL-800x133Y	CF8. 00"	CF1. 33"	8. 4	15. 8	M4	22. 4
CF-ZL-800x275Y	CF8. 00"	CF2. 75"	8. 4	38. 1	M6	22. 4
CF-ZL-800x450Y	CF8. 00"	CF4. 50"	8. 4	63. 5	M8	22. 4
CF-ZL-800x600Y	CF8. 00"	CF6. 00"	8. 4	101. 6	M8	22. 4
CF-ZL-1000x133Y	CF10. 00"	CF1. 33"	8. 4	15. 8	M4	24. 6
CF-ZL-1000x275Y	CF10. 00"	CF2. 75"	8. 4	38. 1	M6	24. 6
CF-ZL-1000x450Y	CF10. 00"	CF4. 50"	8. 4	63. 5	M8	24. 6
CF-ZL-1000x600Y	CF10. 00"	CF6. 00"	8. 4	101. 6	M8	24. 6
CF-ZL-1000x800Y	CF10. 00"	CF8. 00"	8. 4	152. 4	M8	24. 6
CF-ZL-1325x133Y	CF13. 25"	CF1. 33"	10. 5	15. 8	M4	28. 5
CF-ZL-1325x275Y	CF13. 25"	CF2. 75"	10. 5	38. 1	M6	28. 5
CF-ZL-1325x450Y	CF13. 25"	CF4. 50"	10. 5	63. 5	M8	28. 5
CF-ZL-1325x600Y	CF13. 25"	CF6. 00"	10. 5	101. 6	M8	28. 5
CF-ZL-1325x800Y	CF13. 25"	CF8. 00"	10. 5	152. 4	M8	28. 5
CF-ZL-1325x1000Y	CF13. 25"	CF10. 00"	10. 5	203. 2	M8	28. 5

M: 大小法兰都是公制螺纹孔。Both small flange and large flange. are metric tapped holes.

Y: 小法兰侧（公制螺纹孔）和大法兰侧（通孔）。

Small flange side (metric tapped holes) & large flange side (through holes).

# CF

## 半截法兰 CF Flange Half Nipples

材料 Material : SS 304L/SS 316L/SS 316LN

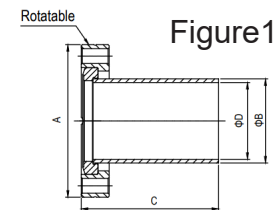


Figure1

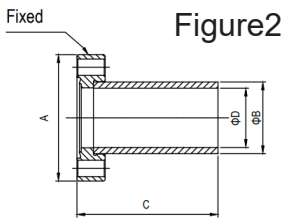
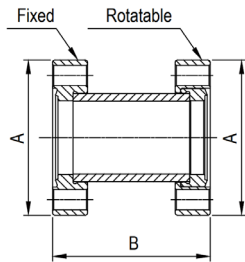
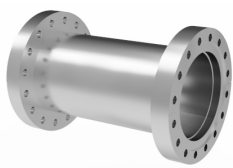


Figure2

Part Number	Size	Figure	A	B	C	D
CF-HN-133	CF1.33" (DN16)	2	1.33"	19.1	38.1	15.8
CF-HN-133R	CF1.33" (DN16)	1	1.33"	19.1	38.1	15.8
CF-HN-212	CF2.12" (DN25)	2	2.12"	25.4	52.1	22.1
CF-HN-275	CF2.75" (DN40)	2	2.75"	38.1	62.5	34.8
CF-HN-275R	CF2.75" (DN40)	1	2.75"	38.1	62.7	34.8
CF-HN-338	CF3.38" (DN50)	2	3.38"	50.8	81.8	47.5
CF-HN-450	CF4.50" (DN63)	2	4.50"	63.5	85.9	60.2
CF-HN-450R	CF4.50" (DN63)	1	4.50"	63.5	104.8	60.2
CF-HN-462	CF4.62" (DN80)	2	4.62"	76.2	89.7	72.9
CF-HN-600	CF6.00" (DN100)	2	6.00"	101.6	109.7	97.4
CF-HN-600R	CF6.00" (DN100)	1	6.00"	101.6	134.9	97.4
CF-HN-675	CF6.75" (DN130)	2	6.75"	127.0	109.7	122.8
CF-HN-800	CF8.00" (DN160)	2	8.00"	152.4	139.7	148.2
CF-HN-800R	CF8.00" (DN160)	1	8.00"	152.4	166.7	148.2
CF-HN-1000	CF10.00" (DN200)	2	10.00"	203.2	203.2	197.2
CF-HN-1000R	CF10.00" (DN200)	1	10.00"	203.2	203.2	199.0

## 直通法兰 CF Flange Full Nipples

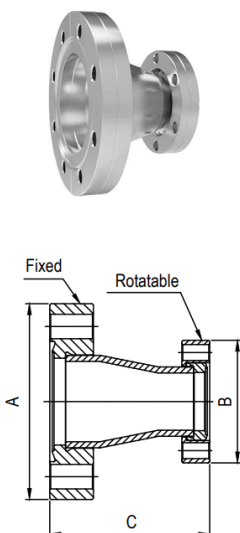
材料 Material : SS 304L/SS 316L/SS 316LN



Part Number	Size	A	B
CF-FN-133	CF1.33" (DN16)	1.33"	76.2
CF-FN-212	CF2.12" (DN25)	2.12"	104.1
CF-FN-275	CF2.75" (DN40)	2.75"	125.0
CF-FN-338	CF3.38" (DN50)	3.38"	163.6
CF-FN-450	CF4.50" (DN63)	4.50"	171.7
CF-FN-462	CF4.62" (DN80)	4.62"	179.3
CF-FN-600	CF6.00" (DN100)	6.00"	219.5
CF-FN-675	CF6.75" (DN130)	6.75"	214.9
CF-FN-800	CF8.00" (DN160)	8.00"	200.0
CF-FN-1000	CF10.00" (DN200)	10.00"	406.4

## 锥形缩径 CF Conical Reducing Nipples

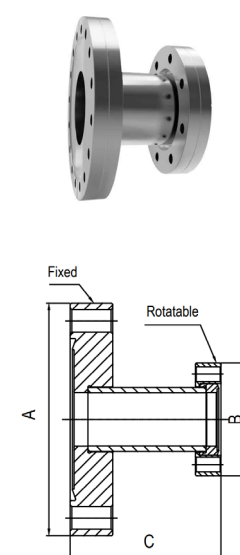
材料 Material : SS 304L/SS 316L/SS 316LN



Part Number	Flange Size	A	B	C
CF-CRN-212x133	CF2. 12" (DN25) /CF1. 33" (DN16)	2. 12 "	1. 33"	51. 9
CF-CRN-275x133	CF2. 75" (DN40) /CF1. 33" (DN16)	2. 75"	1. 33"	78. 3
CF-CRN-275x212	CF2. 75" (DN40) /CF2. 12" (DN25)	2. 75"	2. 12"	69. 9
CF-CRN-338x212	CF3. 38" (DN50) /CF2. 12" (DN25)	3. 38"	2. 12"	70. 3
CF-CRN-338x275	CF3. 38" (DN50) /CF2. 75" (DN40)	3. 38"	2. 75"	71. 3
CF-CRN-450x275	CF4. 50" (DN63) /CF2. 75" (DN40)	4. 50"	2. 75"	75. 2
CF-CRN-450x338	CF4. 50" (DN63) /CF3. 38" (DN50)	4. 50"	3. 38"	75. 6
CF-CRN-462x275	CF4. 62" (DN80) /CF2. 75" (DN40)	4. 62"	2. 75"	107. 0
CF-CRN-462x338	CF4. 62" (DN80) /CF3. 38" (DN50)	4. 62"	3. 38"	107. 4
CF-CRN-462x450	CF4. 62" (DN80) /CF4. 50" (DN63)	4. 62"	4. 50"	111. 2
CF-CRN-600x338	CF6. 00" (DN100) /CF3. 38" (DN50)	6. 00"	3. 38"	108. 9
CF-CRN-600x450	CF6. 00" (DN100) /CF4. 50" (DN63)	6. 00"	4. 50"	112. 7
CF-CRN-600x462	CF6. 00" (DN100) /CF4. 62" (DN80)	6. 00"	4. 62"	112. 8

## 直通缩径 CF Straight Reducing Nipples

材料 Material : SS 304L/SS 316L/SS 316LN



Part Number	Flange Size	A	B	C
CF-SRN-275x133	CF2. 75" (DN40) /CF1. 33" (DN16)	2. 75"	1. 33"	45. 0
CF-SRN-450x133	CF4. 50" (DN63) /CF1. 33" (DN18)	4. 50"	1. 33"	70. 0
CF-SRN-450x275	CF4. 50" (DN63) /CF2. 75" (DN40)	4. 50"	2. 75"	75. 0
CF-SRN-600x275	CF6. 00" (DN100) /CF2. 75" (DN40)	6. 00"	2. 75"	127. 0
CF-SRN-600x450	CF6. 00" (DN100) /CF4. 50" (DN63)	6. 00"	4. 50"	95. 0
CF-SRN-800x275	CF8. 00" (DN160) /CF2. 75" (DN40)	8. 00"	2. 75"	127. 0
CF-SRN-800x450	CF8. 00" (DN160) /CF4. 50" (DN63)	8. 00"	4. 50"	127. 0
CF-SRN-800x600	CF8. 00" (DN160) /CF6. 00" (DN100)	8. 00"	6. 00"	127. 0
CF-SRN-1000x275	CF10. 00" (DN200) /CF2. 75" (DN40)	10. 00"	2. 75"	127. 0
CF-SRN-1000x450	CF10. 00" (DN200) /CF4. 50" (DN63)	10. 00"	4. 50"	127. 0
CF-SRN-1000x600	CF10. 00" (DN200) /CF6. 00" (DN100)	10. 00"	6. 00"	127. 0
CF-SRN-1000x800	CF10. 00" (DN200) /CF8. 00" (DN160)	10. 00"	6. 00"	127. 0

# CF

## 45 度弯头 CF 45° Elbows

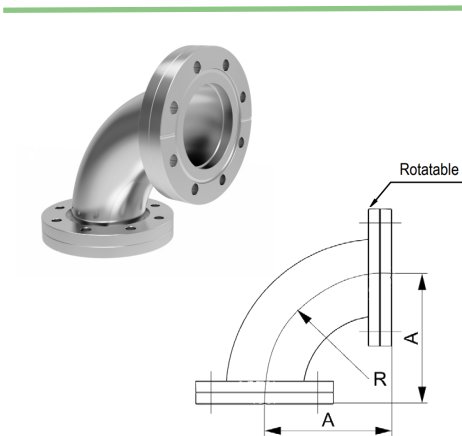
材料 Material : SS 304L/SS 316L/SS 316LN



Part Number	Flange Size	A	B
CF-45EL-133	CF1. 33" (DN16)	23.8	25.4
CF-45EL-212	CF2. 12" (DN25)	28.9	38.1
CF-45EL-275	CF2. 75" (DN40)	44.2	57.2
CF-45EL-338	CF3. 38" (DN50)	52.5	76.2
CF-45EL-450	CF4. 50" (DN63)	85.6	95.3
CF-45EL-462	CF4. 62" (DN80)	100.6	114.3
CF-45EL-600	CF6. 00" (DN100)	132.5	152.4

## 90 度弯头 CF 90° Elbows

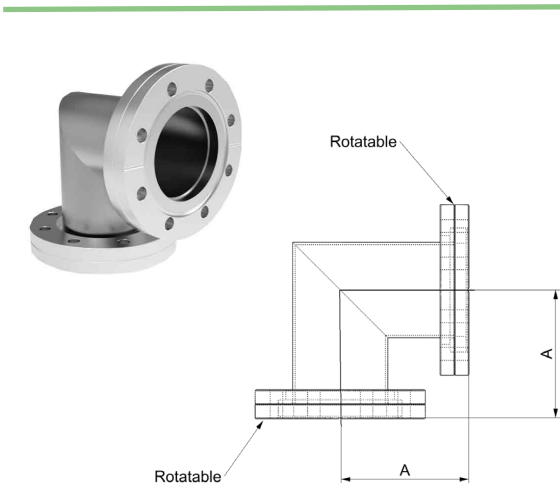
材料 Material : SS 304L/SS 316L/SS 316LN



Part Number	Flange Size	A	B
CF-90EL-133	CF1. 33" (DN16)	38.1	28.6
CF-90EL-212	CF2. 12" (DN25)	42.4	38.1
CF-90EL-275	CF2. 75" (DN40)	62.5	57.2
CF-90EL-338	CF3. 38" (DN50)	81.8	76.2
CF-90EL-450	CF4. 50" (DN63)	104.6	95.3
CF-90EL-462	CF4. 62" (DN80)	121.4	114.3
CF-90EL-600	CF6. 00" (DN100)	163.6	152.4

## 90 度斜接弯头 CF 90° Mitered Elbows

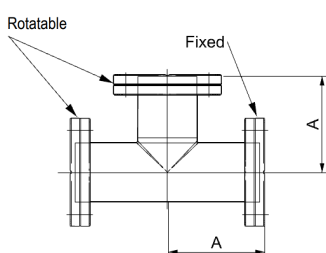
材料 Material : SS 304L/SS 316L/SS 316LN



Part Number	Flange Size	A
CF-90MEL-133	CF1. 33" (DN16)	38.1
CF-90MEL-212	CF2. 12" (DN25)	52.0
CF-90MEL-275	CF2. 75" (DN40)	62.5
CF-90MEL-338	CF3. 38" (DN50)	81.8
CF-90MEL-450	CF4. 50" (DN63)	85.9
CF-90MEL-462	CF4. 62" (DN80)	89.7
CF-90MEL-600	CF6. 00" (DN100)	109.7

## 正三通 CF Equal Tees

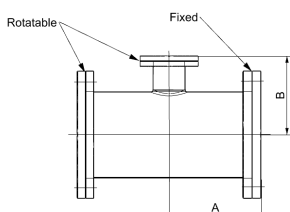
材料Material : SS 304L/SS 316L/SS 316LN



Part Number	Flange Size	A
CF-ET-133	CF 1.33" (DN16)	38.1
CF-ET-212	CF 2.12" (DN25)	52.1
CF-ET-275	CF 2.75" (DN40)	62.5
CF-ET-338	CF 3.38" (DN50)	81.8
CF-ET-450	CF 4.50" (DN63)	85.9
CF-ET-450-1	CF 4.50" (DN63)	104.7
CF-ET-462	CF 4.62" (DN80)	92.1
CF-ET-600	CF 6.00" (DN100)	109.7
CF-ET-600-1	CF 6.00" (DN100)	134.9

## 缩径三通 CF Reducing Tees

材料Material : SS 304L/SS 316L/SS 316LN

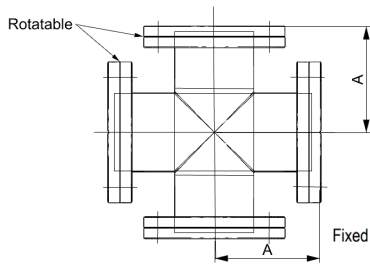
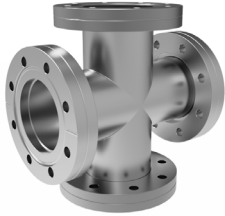


Part Number	Flange Size	A	B
CF-RT-275x133	CF2.75" (DN40) /CF1.33" (DN16)	62.5	47.5
CF-RT-275x212	CF2.75" (DN40) /CF2.12" (DN25)	62.5	58.2
CF-RT-338x133	CF3.38" (DN50) /CF1.33" (DN16)	81.8	54.1
CF-RT-338x275	CF3.38" (DN50) /CF2.75" (DN40)	81.8	68.8
CF-RT-450x275	CF4.50" (DN63) /CF2.75" (DN40)	85.9	75.2
CF-RT-450x338	CF4.50" (DN63) /CF3.38" (DN50)	85.9	88.4
CF-RT-462x338	CF4.62" (DN80) /CF3.38" (DN50)	89.7	94.7
CF-RT-462x450	CF4.62" (DN80) /CF4.50" (DN63)	89.7	92.2
CF-RT-600x275	CF6.00" (DN100) /CF2.75" (DN40)	109.7	94.2
CF-RT-600x338	CF6.00" (DN100) /CF3.38" (DN50)	109.7	107.4
CF-RT-600x450	CF6.00" (DN100) /CF4.50" (DN63)	109.7	104.9
CF-RT-600x462	CF6.00" (DN100) /CF4.62" (DN80)	109.7	102.4

# CF

## 正四通 CF 4-Way Crosses

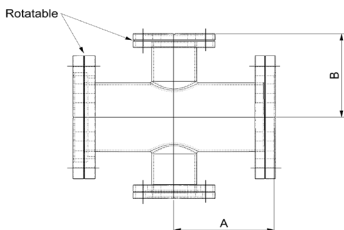
材料 Material : SS 304L/SS 316L/SS 316LN



Part Number	Flange Size	A
CF-4C-133	CF1. 33" (DN16)	38.1
CF-4C-212	CF2. 12" (DN25)	52.0
CF-4C-275	CF2. 75" (DN40)	62.5
CF-4C-338	CF3. 38" (DN50)	81.8
CF-4C-450	CF4. 50" (DN63)	85.9
CF-4C-462	CF4. 62" (DN80)	89.7
CF-4C-600	CF6. 00" (DN100)	109.7

## 缩径四通 CF 4-Way Reducing Crosses

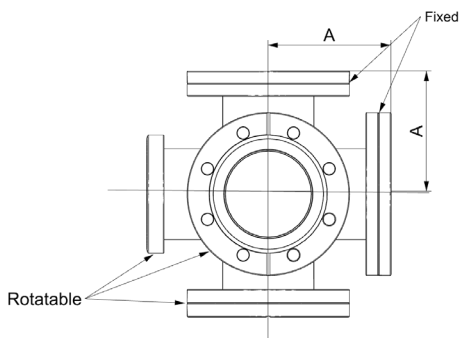
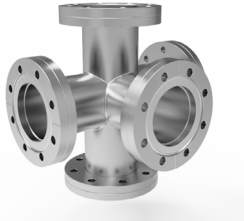
材料 Material : SS 304L/SS 316L/SS 316LN



Part Number	Flange Size	A	B
CF-4RC-275x133	CF2. 75" (DN40) /CF1. 33" (DN16)	62.5	47.5
CF-4RC-275x212	CF2. 75" (DN40) /CF2. 12" (DN25)	62.5	58.2
CF-4RC-338x133	CF3. 38" (DN50) /CF1. 33" (DN16)	81.8	54.1
CF-4RC-338x275	CF3. 38" (DN50) /CF2. 75" (DN40)	81.8	68.8
CF-4RC-450x275	CF4. 50" (DN63) /CF2. 75" (DN40)	85.9	75.2
CF-4RC-450x338	CF4. 50" (DN63) /CF3. 38" (DN50)	85.9	88.4
CF-4RC-462x338	CF4. 62" (DN80) /CF3. 38" (DN50)	89.7	94.7
CF-4RC-462x450	CF4. 62" (DN80) /CF4. 50" (DN63)	89.7	92.2
CF-4RC-600x275	CF6. 00" (DN100) /CF2. 75" (DN40)	109.7	94.2
CF-4RC-600x338	CF6. 00" (DN100) /CF3. 38" (DN50)	109.7	107.4
CF-4RC-600x450	CF6. 00" (DN100) /CF4. 50" (DN63)	109.7	104.9
CF-4RC-600x462	CF6. 00" (DN100) /CF4. 62" (DN80)	109.7	104.9

## 正五通 CF 5-Way Crosses

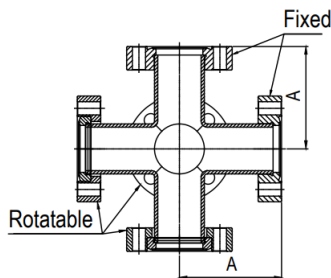
材料 Material : SS 304L/SS 316L/SS 316LN



Part Number	Flange Size	A
CF-5C-133	CF1. 33" (DN16)	38.1
CF-5C-212	CF2. 12" (DN25)	52.0
CF-5C-275	CF2. 75" (DN40)	62.7
CF-5C-338	CF3. 38" (DN50)	81.8
CF-5C-450	CF4. 50" (DN63)	104.8
CF-5C-462	CF4. 62" (DN80)	92.2
CF-5C-600	CF6. 00" (DN100)	134.9

## 正六通 CF 6-Way Crosses

材料 Material : SS 304L/SS 316L/SS 316LN

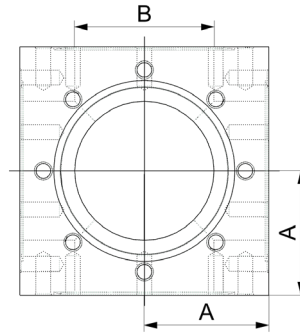
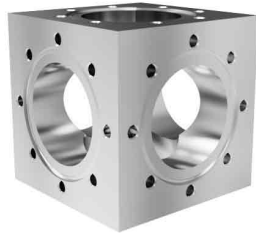


Part Number	Flange Size	A
CF-6C-133	CF1. 33" (DN16)	38.1
CF-6C-212	CF2. 12" (DN25)	52.1
CF-6C-275	CF2. 75" (DN40)	62.5
CF-6C-338	CF3. 38" (DN50)	81.8
CF-6C-450	CF4. 50" (DN63)	85.9
CF-6C-462	CF4. 62" (DN80)	92.2
CF-6C-600	CF6. 00" (DN100)	134.9

# CF

## 立方六通 CF 6-Way Cubes

材料 Material : SS 304L/SS 316L/SS 316LN



Part Number	Flange Size	A	B	Diameter (mm) / Thread Type
CF-6CU-133T	CF1. 33" (DN16)	17.0	15.8	8-32
CF-6CU-133M	CF1. 33" (DN16)	17.0	15.8	M4
CF-6CU-275T	CF2. 75" (DN40)	35.1	38.1	1/4-28
CF-6CU-275M	CF2. 75" (DN40)	35.1	38.1	M6
CF-6CU-338T	CF3. 38" (DN50)	42.5	50.8	5/16-24
CF-6CU-338M	CF3. 38" (DN50)	42.5	50.8	M8
CF-6CU-450T	CF4. 50" (DN63)	56.8	63.5	5/16-24
CF-6CU-450M	CF4. 50" (DN63)	56.8	63.5	M8
CF-6CU-600T	CF6. 00" (DN100)	75.8	101.6	5/16-24
CF-6CU-600M	CF6. 00" (DN100)	75.8	101.6	M8